

## CYBERVIEW 2010

2 MP Smart Outdoor Wifi Wireless



The Gyration Cyberview 2010 is a 2 mp Smart AI Wi-Fi wireless battery camera, suitable for indoor or outdoor use. Support 24 Hrs. event recording; support two-way audio, AI motion detection. Support AI for event monitoring; Instant & accurate alerts; 2.4GHz WiFi connection, support Micro SD card, the maximum capacity can reach 128GB, support cloud storage; Support Android /iOS system mobile devices, remote real-time monitoring. The Cyberview 2010 two-way talk via the CyberView Plus App when someone trigger alert so you'll never miss a video conference. See and talk with your family members or guest of the family from your smartphone anywhere, any time. The built-in microphone and speaker make it easy for you to hear what's happening outdoor or indoor. With CyberView Plus app, you can protect, capture, save and share what's valuable to you.

### KEY FEATURES

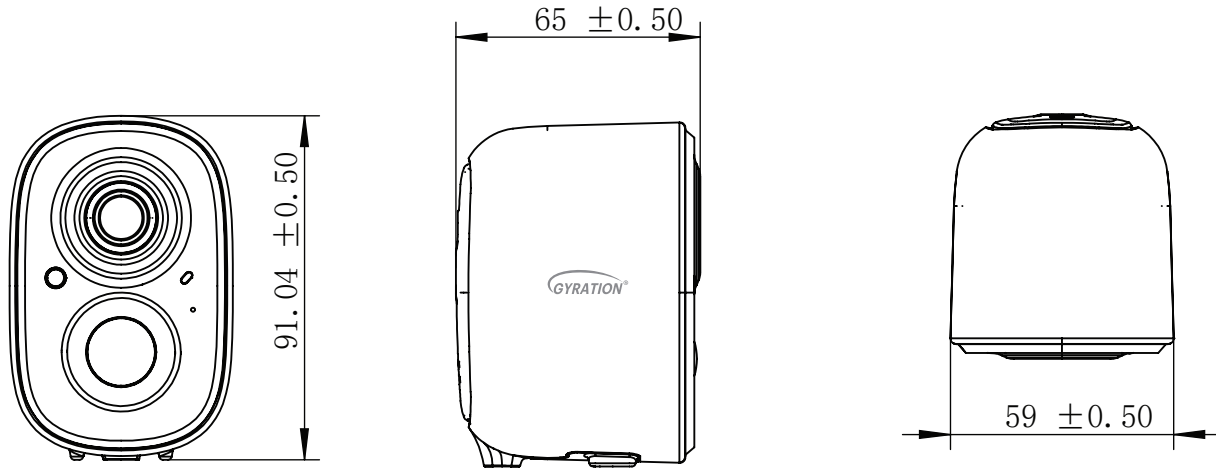
- High quality image with 2 MP, 1/2.9" CMOS sensor
- 2MP (1920\*1080) @ 15 fps Resolution
- Support humanoid detection, vehicle detection, pet capture and package detection (need to open value-added services)
- Supports two-way voice intercom supported; echo eliminated; noise suppressed
- Supports micro SD card (max 128 GB) storage
- Lighting for infrared night vision (with a night vision distance of 7m); 24h around-the-clock monitoring; IR-CUT switching; free of color cast in the daytime; clearer night vision
- Built in rechargeable lithium battery, long life, normal work up to 6 months, standby time up to 12 months
- Supports Android /iOS system mobile devices for remote real-time monitoring
- Smart storage algorithm, small space to accommodate more content, support Micro SD card(up to 128G), cloud storage



| Specification  |                    |   |
|----------------|--------------------|---|
| <b>Sensor</b>  | Sensor             | 1/2.9" color CMOS sensor  |
|                | Lens               | M12,f: 3.3mm,F2.0, 2MP  |
|                | View angle         | H(horizontal)95degree; V(vertical)55degree; D(verse)110 degree  |
|                | Low illumination   | 0.01Lux   |
| <b>Audio</b>   | Input/output       | Two-way voice talk (built-in microphone and speaker)  |
|                | Audio compression  | AAC   |
| <b>Video</b>   | Vedio compression  | H.264/H.265   |
|                | Light frequency    | 50Hz, 60Hz  |
|                | Frame rate         | 15fps   |
|                | Maximum image      | 1920*1080P  |
|                | Night vision       | Choose 8 low power infrared lamps or 2 medium power infrared lamps (850nm wavelength) Optional white light fill |
| <b>Network</b> | Wireless network   | 2.4G WIFI(IEEE802.11b/g/n),built-in antenna   |
|                | Agreements         | TCP/IP、UDP/IP、DHCP、RTMP、MUTP  |
|                | Ip address         | Dynamic IP address  |
| <b>AI</b>      | Smart function     | Support humanoid detection, vehicle detection, pet capture and package detection                                |
| <b>Alarm</b>   | Alarm notification | Mobile APP alarm push, alarm sound warning and equipment white light flashing (optional)                        |
| <b>Wake up</b> | Wake up mode       | PIR human body induction wake up, remote active wake up   |

|                            |                           |   |
|----------------------------|---------------------------|---|
| <b>Record</b>              | Record method             | Alarm triggered, manual recording   |
|                            | Record                    | Cloud/Micro SD/Mobile storage   |
| <b>Indication</b>          | LED indication            | RGB three colors light, indicating power supply / network signal / function status  |
| <b>Battery</b>             | Capability                | 5200mAh   |
|                            | Detachability             | Non detachable  |
|                            | Usage time                | 6 months (under the condition of recording 20 10s videos per day)   |
|                            | Standby time              | 12 months   |
|                            | Charging voltage          | DV 5V+ -5%/1.5A   |
|                            | Charging time             | 10 hours  |
|                            | Protection mode           | IP65 dust proof and waterproof; over current / over discharge / overcharge / short circuit / high and low temperature charging protection |
| <b>Consumption</b>         | Standby power consumption | 1.68mW(4V 0.42mA)   |
|                            | Daytime power consumption | 1W((3.8V 264mA)   |
|                            | Night Power consumption   | 2.17W((3.8V 571mA)  |
| <b>Port</b>                | Power                     | 1个Micro USB port, compatible with type C interface  |
|                            | SD card                   | 1个Micro SD card (Max support 128GB)   |
|                            | Button                    | 1pcs reset button, 1pcs switch button   |
| <b>Installation method</b> | Installation method       | 1 / 4 universal screw hole and magnetic suction   |
| <b>Environment</b>         | Dustproof and waterproof  | IP65  |
|                            | Working environment       | -10° ~ 45°C /10% ~ 80% (No condensation)  |
|                            | Stored Environment        | -20°C ~ 60° /0% ~ 90%(No condensation)  |
| <b>Specification</b>       | Size(LxWxH)               | 67mm*58mm*89mm (no stand)   |
|                            | Net Weight                | About 212g  |
|                            | Gross Weight              | About 500g  |
|                            | Material + Technology     | PC  |
|                            | Color                     | White highlights  |
| <b>Certification</b>       | Certificate               | CE,FCC,RoHS,WEEE,MSDS,UN38.3  |

## Dimensions (mm)



### Shipping Information:

| Item           | UPC Code     | Package Dimensions      | Package Weight | Qty/Carton |
|----------------|--------------|-------------------------|----------------|------------|
| CyberView 2010 | 744390953477 | 4.41 x 5.24 x 2.87 Inch | 1 Lbs          | 10/40      |



User Manual